



Industry 4.0  
solutions by WAMECH

# AGV TYP S

Automated Guided Vehicle



# AGV TYP S

- In Process charging by using sliding contacts
- Low profile AGV , just 260 mm (10.2 inch) in height, perfectly suited for driving underneath carriers (Drive Under Tractor)
- 7" Touch display for simple operation
- Agent based Software communicates decentralized with other AGVs and its environment
- Variable add ons e.g. conveyor technology
- Turning radius within a lane width of just 0.8 m (31.5 inch)
- Driving speeds up to 1 m/s (2.2 mph)
- Transports up to 500 kg (1102 lb)
- Laser safety sensor
- Electrical pin for automatized pick up, transportation and drop off of carriers

## Technical data

### Electronical Data

Operating voltage AGV [V]	<b>24 DC</b>
Operating voltage base station [V]	<b>48 DC</b>
Charging time at 48V / 32A	<b>2h*</b>
Nominal voltage electrical unit [V]	<b>24</b>
Capacity [Ah]	<b>50</b>
Maximum current [A]	<b>40</b>

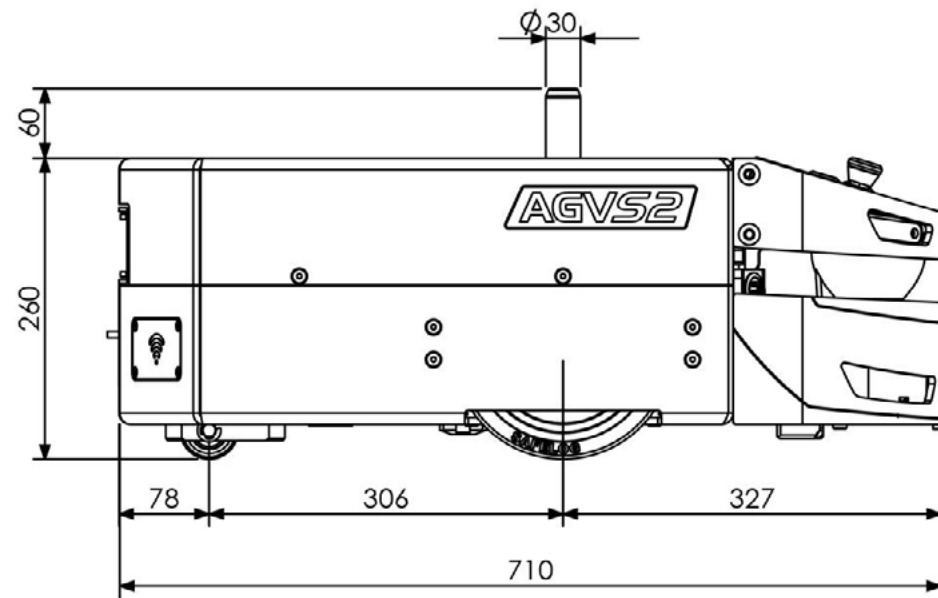
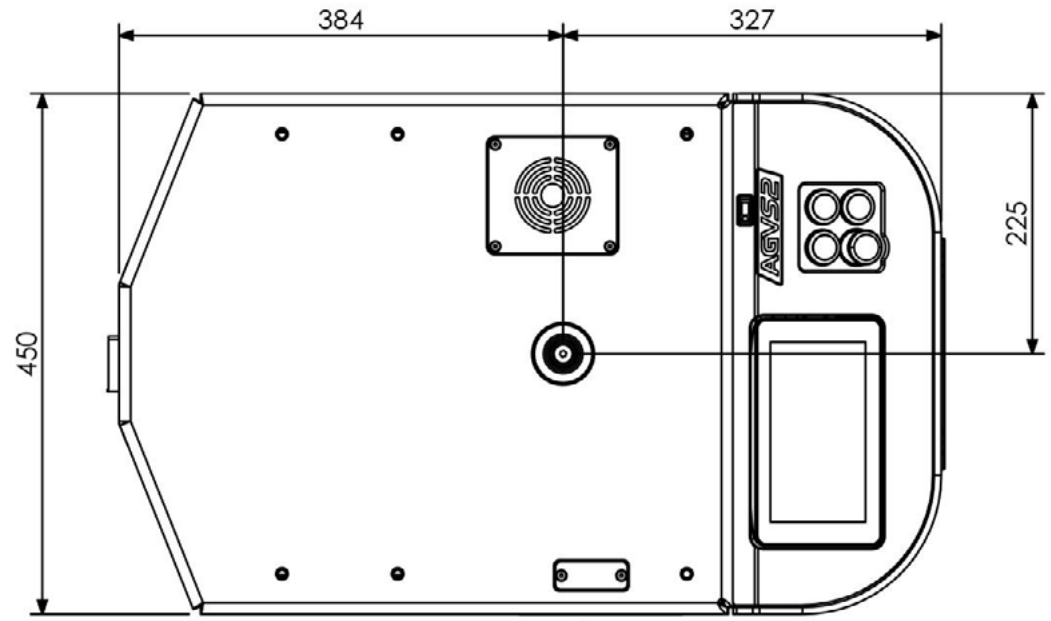
### Tests

Temperature [C] / ([ F]) 5	<b>5 - 30 / (41 86)</b>
Accuracy of positioning [mm] / ([inch])	<b>+ / - 10* / (+ / 0.4)*</b>
Min. turning radius [m] / ([inch])	<b>0,7 / (27.6)</b>
Maximum speed [m/s] / ([mph])	<b>1,0* / (2.2)*</b>
Endurance driving [min] without load	<b>600*</b>

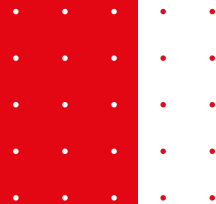
### Mechanical data

Housing material	<b>Powder-coated, bottom plate steel-reinforced</b>
Dimensions ( L / W / H) [mm] / ([inch])	<b>710 (27.9) / 450 (17.7) / 260 (10.2)</b>
Weight AGV [kg] / ([lb])	<b>95 / (209.4)</b>
Max. load capacity AGV (Topload) [kg] / ([lb])	<b>150* / (330.7)*</b>
Max. lifting capacity (carrier) [kg] / ([lb])	<b>500* / (1102)*</b>

\* The imperial units are only for orientation. If there is any deviation in the specification, the metric system is valid.  
\* This value depends on the application environment.



## Dimensions





**REDGE**

**WAMECH P.A. Wąsik Sp. J.**  
ul. Torowa 3; 30-435 Kraków  
NIP: 679 002 66 22  
REGON: 356347541