



Industry 4.0
solutions by WAMECH

AGV TYP L

Automated Guided Vehicle



AGV TYP L

- Omni directional movement
- In Process charging by using sliding contacts
- 7" Touch display for simple operation
- Agent based Software communicates decentralized with other AGVs and its environment
- Variable add ons , e.g. conveyor technology
- Lifting capacity up to 1,5 t (3300 lb via four electrical pins)
- Transports up to 3 t (6600 lb)
- Laser safety sensor in every direction
- Driving speeds up to 1.0 m/s (2.4 mph)

Technical data

Electronical Data

Operating voltage AGV [V]	24 DC
Operating voltage base station [V]	48 DC
Charging time at 48V / 32A	4h*
Nominal voltage electrical unit [V]	24
Capacity [Ah]	95
Maximum current [A]	200

Tests

Temperature [C] / ([F])	40 / (41 104)
Accuracy of positioning [mm] / ([inch])	+ /- 10* / (+ / 0.4)*
Maximum speed [m/s] / ([mph])	1,0* / (2.4)*
Endurance driving [min] without load	600*

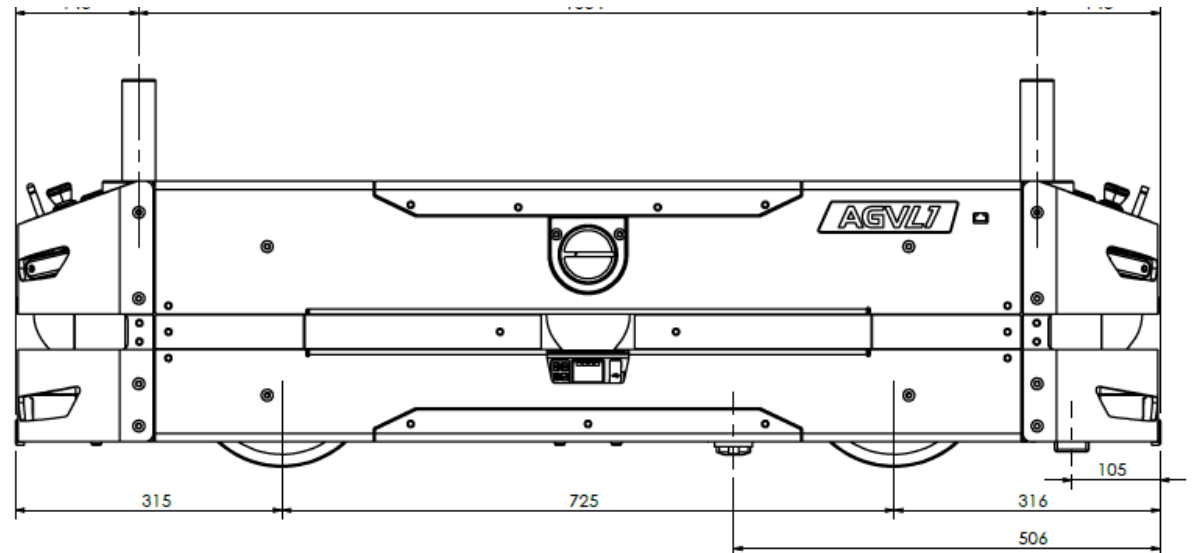
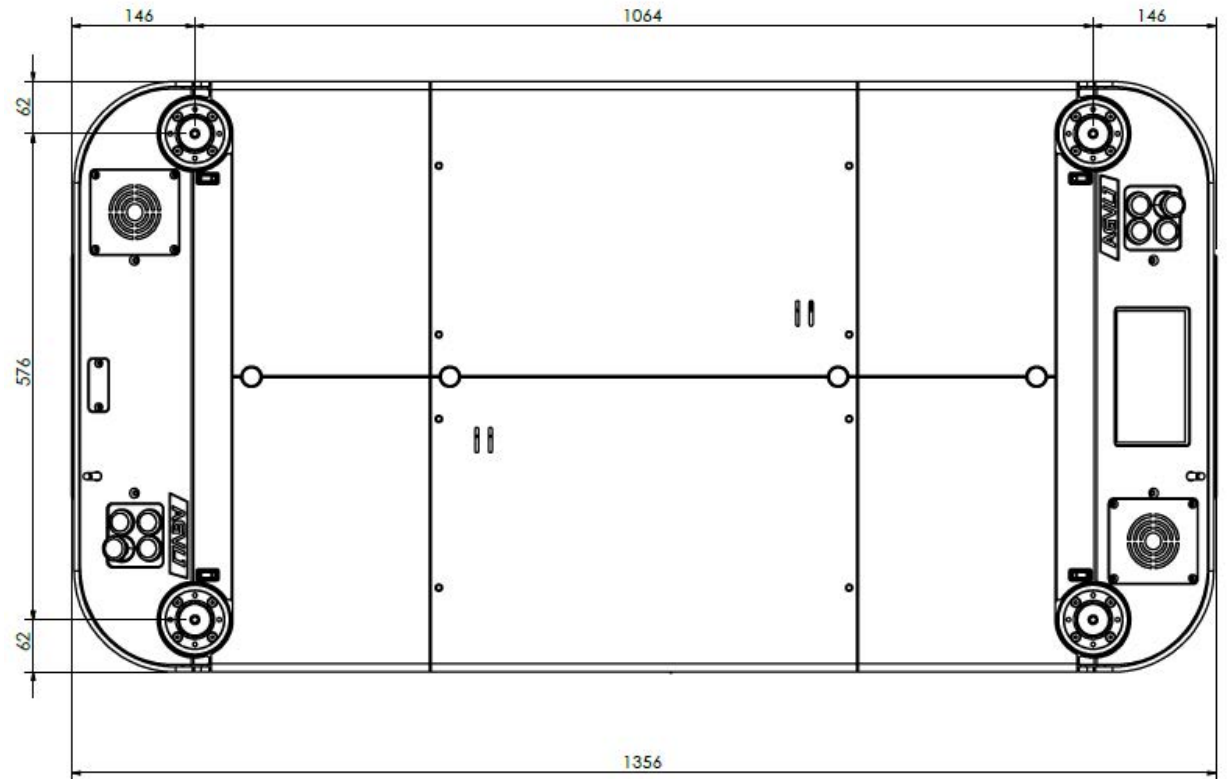
Mechanical data

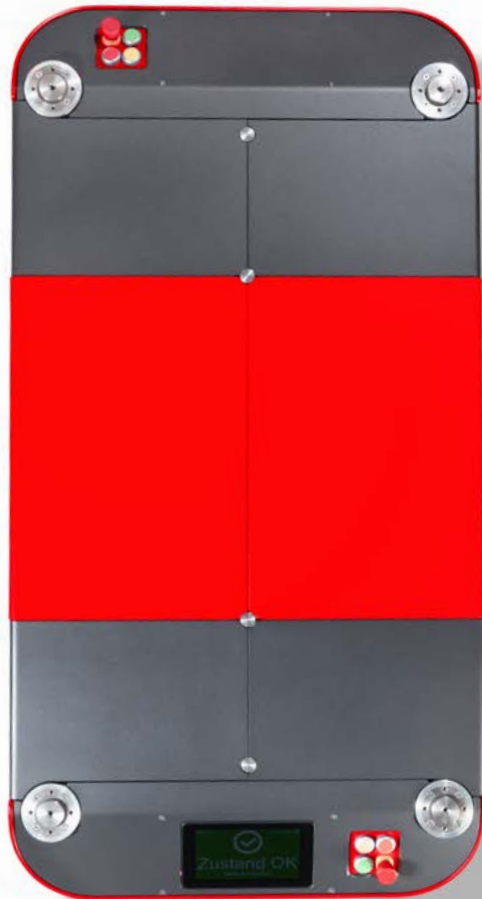
Housing material	Powder-coated, bottom plate steel-reinforced
Dimensions (L / W / H) [mm] / ([inch])	1350 (53.1) / 700 (27.6) / 340 (13.4)
Weight AGV [kg] / ([lb])	280 / (617.3)
Additional weight (for towing) [kg] / ([lb])	42 / (92.6)
Max. load capacity AGV (Topload) [kg] / ([lb])	1500* / (3306.9)*
Max. ulling capacity (carrier) [kg] / ([lb])	3000* / (6613.8)*

* The imperial units are only for orientation. If there is any deviation in the specification, the metric system is valid.
* This value depends on the application environment.



Dimensions





REDGE

WAMECH P.A. Wąsik Sp. J.
ul. Torowa 3; 30-435 Kraków
NIP: 679 002 66 22
REGON: 356347541